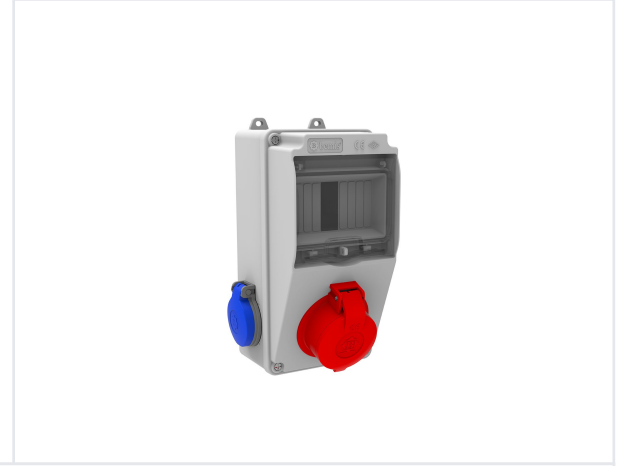


Product Code

BD1-2105-2020

???????????? V5

Category: ?????????? V5

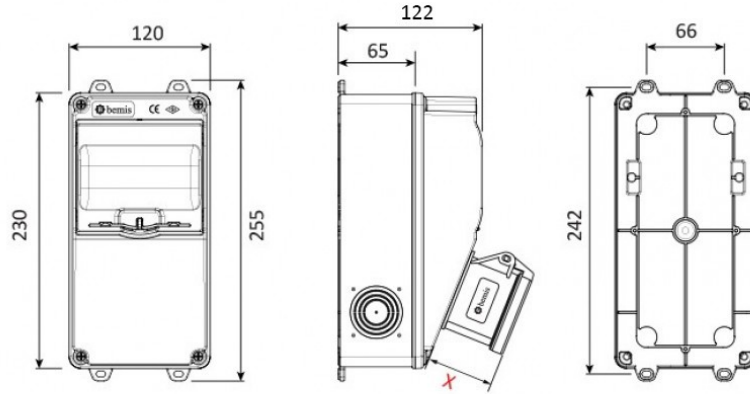
**Technical Specifications**

| | |
|----------------------------|--------------|
| ????? ?????? IP | IP44 |
| ????????????? ? ?????????? | 1 |
| ????????????? ?????????? | 12 |
| HAMMADE | ABS |
| ????????? ?????????? | ? ?????????? |

Socket Configuration

| | 1 Adet Priz | 2 Adet Priz |
|-------|-------------|-------------|
| Amper | 3/25A | 1/16A |
| Volt | 380V-450V | 220V-250V |
| Kutup | 3P+E | 2P+E |
| Hertz | 50Hz - 60Hz | 50Hz - 60Hz |

Quality Certificates

BD1-2105-2020**Technical Drawing****(X) Ölçüleri / Dimensions (mm)**

| | | | |
|-------------------|----|-----------------------|----|
| 1/16A Pano Prizi | 18 | 3/4/5 32A Som Priz | 47 |
| 1/16A Mak. Prizi | 40 | 3/4/5 63A Mk.Prizi | 92 |
| 3/25A Som. Priz | 33 | 2/3 16A 24V Mk. Prizi | 42 |
| 3/4 16A Mak Prizi | 55 | 2/3 32A 24V Mk. Prizi | 42 |
| 5/16A Som. Priz | 47 | | |