

Product Code

**BX1-0MMM-0000****Polybox**

Category: Polybox



## Technical Specifications

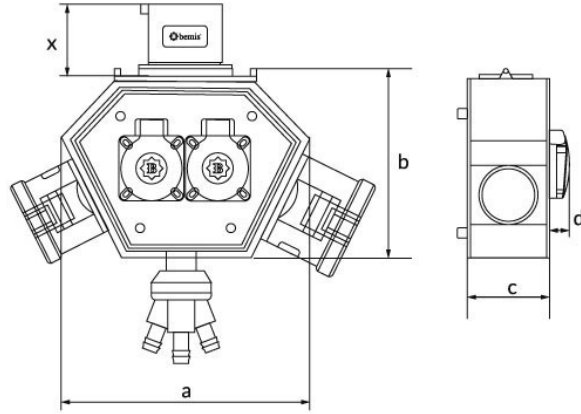
IP RATING	IP44
CONDUCTIVE MATERIAL	A.D. 58
BODY MATERIAL	Polyamide 6
GRAM	155
BOX QUANTITY	1
NUMBER OF BOXES	6
PLUG OPTION	With a plug
CONNECTION TYPE	Related

## Socket Configuration

	3 Adet Priz
Amper	2/32A
Volt	24V
Kutup	2P
Hertz	50Hz - 60Hz

## Quality Certificates



**BX1-0MMM-0000****Technical Drawing**

Ölçüler / Dimensions (mm) x			
a	188	3/4/5 - 16A Priz / Socket	46
b	148	3/4/5 - 32A Priz / Socket	57
c	86	3/4/5 - 32A Fiş / Plug	46
d	18	3'lü Hava Çıkışı / Air Outlet	90