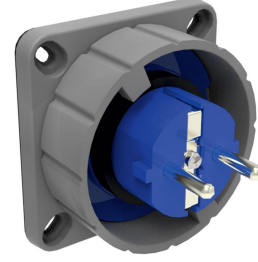


## Product Code

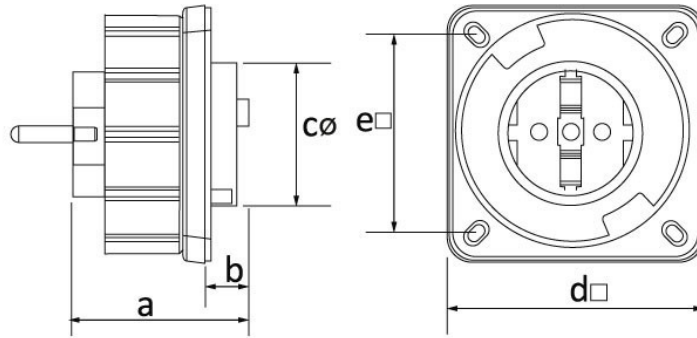
**BS1-1402-7114****Panel Mounted Plug**

Category: 1x16A (2P+E) Plastic

**Technical Specifications**

AMPERE	1/16A
POLE	2P+E
TENSION	220V-250V
HERTZ	50 Hz - 60 Hz
IP RATING	IP68
CONDUCTIVE MATERIAL	A.D. 58
BODY MATERIAL	Polyamide 6
GRAM	119
BOX QUANTITY	8
NUMBER OF BOXES	144

**Quality Certificates**

**BS1-1402-7114****Technical Drawing**

Ölçüler / Dimensions (mm)			
a	42	e	58
b	13	f	
c ø	45	g	
d	75	h	