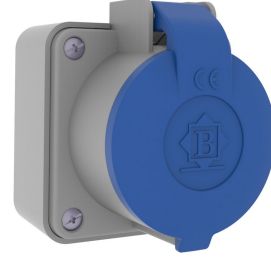


## Product Code

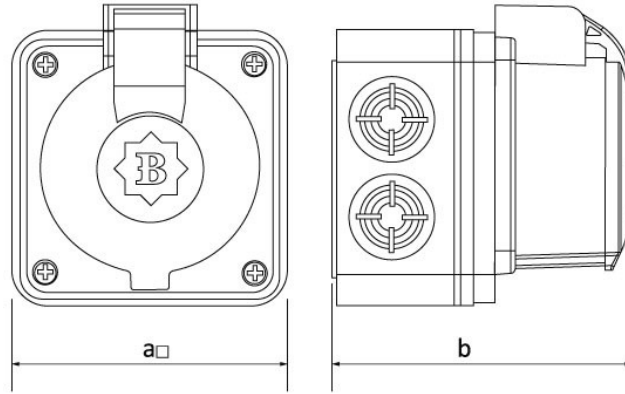
**BP1-1402-2510****Wall Outlet**

Category: 1x16A (2P+E) Plastic

**Technical Specifications**

|                     |             |
|---------------------|-------------|
| AMPERE              | 1/16A       |
| POLE                | 2P+E        |
| TENSION             | 220V-250V   |
| IP RATING           | IP44        |
| CONDUCTIVE MATERIAL | A.D. 58     |
| BODY MATERIAL       | Polyamide 6 |
| BOX QUANTITY        | 6           |
| NUMBER OF BOXES     | 108         |

**Quality Certificates**

**BP1-1402-2510****Technical Drawing**

| Ölçüler / Dimensions (mm) |    |   |  |
|---------------------------|----|---|--|
| a                         | 80 | e |  |
| b                         | 78 | f |  |
| c                         |    | g |  |
| d                         |    | h |  |