

Product Code

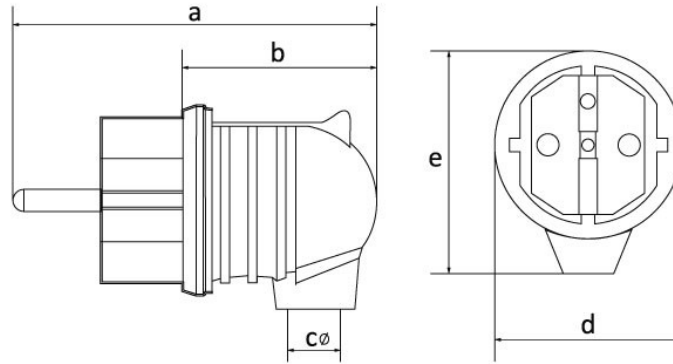
BP1-1402-2022**Angled Plug**

Category: 1x16A (2P+E) Plastic

**Technical Specifications**

AMPERE	1/16A
POLE	2P+E
TENSION	220V-250V
IP RATING	IP44
CONDUCTIVE MATERIAL	A.D. 58
BODY MATERIAL	Polyamide 6
BOX QUANTITY	35
NUMBER OF BOXES	630

Quality Certificates

BP1-1402-2022**Technical Drawing**

Ölçüler / Dimensions (mm)			
a	80	e	46
b	44	f	
cø	7	g	
d	42	h	