

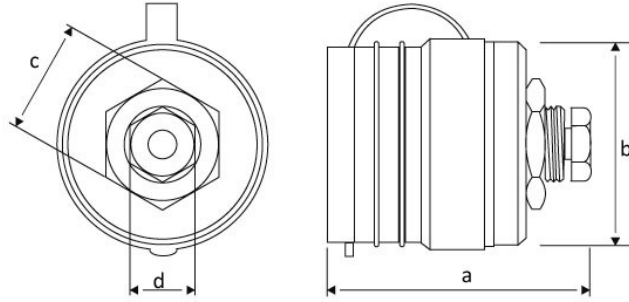
Product Code**BK4-9501-2410****50/150mm² 400A. Panel Mounted Socket**

Category: Rubber Arc Weld

**Technical Specifications**

AMPERE	400A
IP RATING	IP55
CONDUCTIVE MATERIAL	A.D. 58
BODY MATERIAL	Rubber
BOX QUANTITY	12
NUMBER OF BOXES	216

Quality Certificates

BK4-9501-2410**Technical Drawing**

Ölçüler / Dimensions (mm)			
a	71	e	
b	56	f	
c	AA-30	g	
d	AA-17	h	