

Product Code

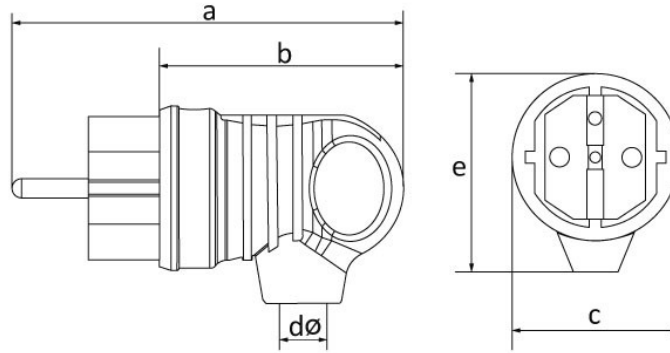
BK1-1402-2021**Handle Angled Plug**

Category: 1x16A (2P+E) Rubber

**Technical Specifications**

| | |
|---------------------|-----------|
| AMPERE | 1/16A |
| POLE | 2P+E |
| TENSION | 220V-250V |
| IP RATING | IP44 |
| CONDUCTIVE MATERIAL | A.D. 58 |
| BODY MATERIAL | Rubber |
| BOX QUANTITY | 20 |
| NUMBER OF BOXES | 360 |
| COLOR | Siyah |

Quality Certificates

BK1-1402-2021**Technical Drawing**

| Ölçüler / Dimensions (mm) | | | |
|---------------------------|-----|---|----|
| a | 100 | e | 52 |
| b | 63 | f | |
| c | 42 | g | |
| dø | 7 | h | |