

Product Code**BD1M6119-1020-X****V5 Combination**

Category: V5 Combination

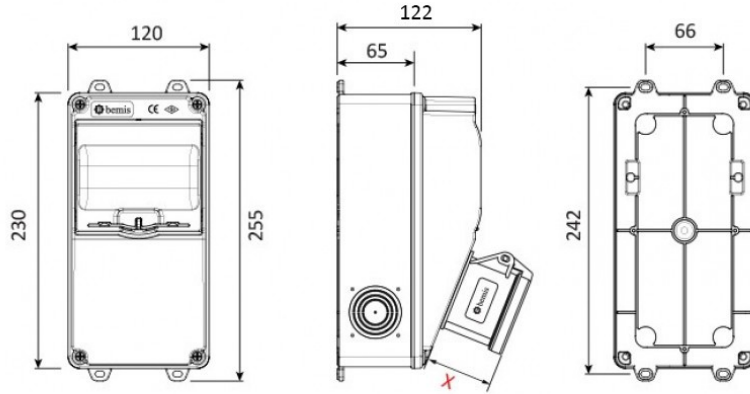
**Technical Specifications**

IP RATING	IP66
RAW MATERIALS	ABS
PLUG OPTION	With a plug
BOX QUANTITY	1
NUMBER OF BOXES	12

Quality Certificates

BD1M6119-1020-X

Technical Drawing



(X) Ölçüleri / Dimensions (mm)

1/16A Pano Prizi	18	3/4/5 32A Som Priz	47
1/16A Mak. Prizi	40	3/4/5 63A Mk.Prizi	92
3/25A Som. Priz	33	2/3 16A 24V Mk. Prizi	42
3/4 16A Mak Prizi	55	2/3 32A 24V Mk. Prizi	42
5/16A Som. Priz	47		