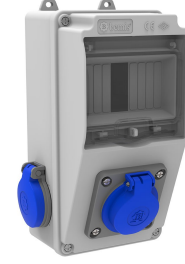


Product Code

BD1-2103-2020**V5 Combination**

Category: V5 Combination

**Technical Specifications**

| | |
|-----------------|-------------|
| IP RATING | IP44 |
| BOX QUANTITY | 1 |
| NUMBER OF BOXES | 12 |
| RAW MATERIALS | ABS |
| PLUG OPTION | With a plug |

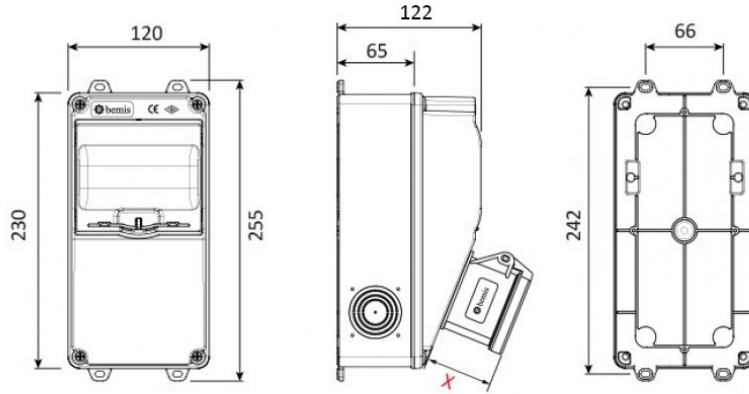
Socket Configuration

| | 1 Adet Priz | 2 Adet Priz |
|-------|-------------|-------------|
| Amper | 1/16A | 1/16A |
| Volt | 220V-250V | 220V-250V |
| Kutup | 2P+E | 2P+E |
| Hertz | 50Hz - 60Hz | 50Hz - 60Hz |

Quality Certificates

BD1-2103-2020

Technical Drawing



(X) Ölçüleri / Dimensions (mm)

| | | | |
|-------------------|----|-----------------------|----|
| 1/16A Pano Prizi | 18 | 3/4/5 32A Som Priz | 47 |
| 1/16A Mak. Prizi | 40 | 3/4/5 63A Mk.Prizi | 92 |
| 3/25A Som. Priz | 33 | 2/3 16A 24V Mk. Prizi | 42 |
| 3/4 16A Mak Prizi | 55 | 2/3 32A 24V Mk. Prizi | 42 |
| 5/16A Som. Priz | 47 | | |