

## Product Code

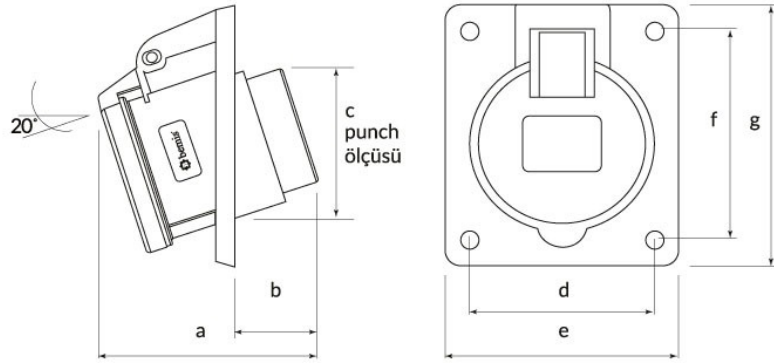
**BCS-3504-2420****45° Angled Panel Mounted Socket**

Category: 4x32A (3P+E) 6h

**Technical Specifications**

AMPERE	4/32A
POLE	3P+E
TENSION	380V-450V
CLOCKWISE	6h
HERTZ	50 Hz - 60 Hz
IP RATING	IP44
CONDUCTIVE MATERIAL	A.D. 58
BODY MATERIAL	Polyamide 6
BOX QUANTITY	6
NUMBER OF BOXES	108

**Quality Certificates**

**BCS-3504-2420****Technical Drawing**

Ölçüler / Dimensions (mm)			
a	102	e	91
b	42	f	82
c	80	g	100
d	77	h	