

Product Code

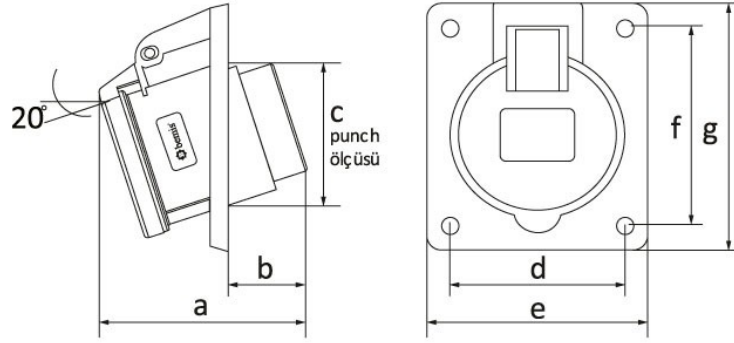
BCS-3403-2420**45° Angled Panel Mounted Socket**

Category: 3x32A (2P+E) 6h

**Technical Specifications**

AMPERE	3/32A
POLE	2P+E
TENSION	220V-250V
CLOCKWISE	6h
HERTZ	50 Hz - 60 Hz
IP RATING	IP44
CONDUCTIVE MATERIAL	A.D. 58
BODY MATERIAL	Polyamide 6
BOX QUANTITY	6
NUMBER OF BOXES	108

Quality Certificates

BCS-3403-2420**Technical Drawing**

Ölçüler / Dimensions (mm)			
a	102	e	91
b	42	f	82
c	80	g	100
d	77	h	