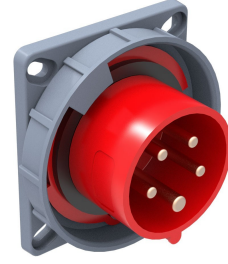


Product Code

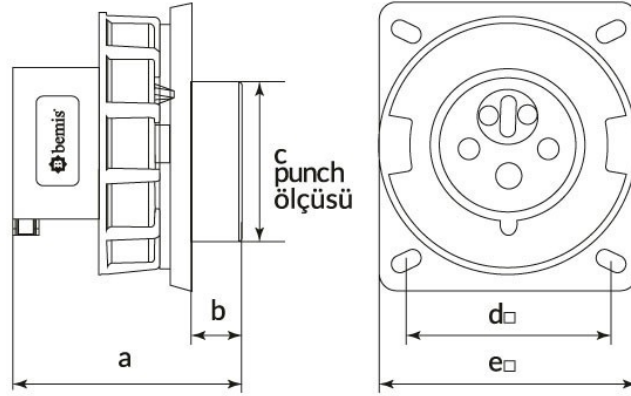
BC1-3505-7070**Inverter Panel Mounted Plug**

Category: 5x32A (3P+E+N) 6h

**Technical Specifications**

AMPERE	32A
POLE	3P+E+N
TENSION	380V-450V
CLOCKWISE	6h
HERTZ	50 Hz - 60 Hz
IP RATING	IP67
CONDUCTIVE MATERIAL	A.D. 58
BODY MATERIAL	Polyamide 6
GRAM	260
BOX QUANTITY	6
NUMBER OF BOXES	108

Quality Certificates

BC1-3505-7070**Technical Drawing**

Ölçüler / Dimensions (mm)			
a	74	e□	75
b	14	f	
c ø	55	g	
d□	60	h	