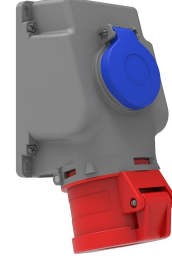


Product Code

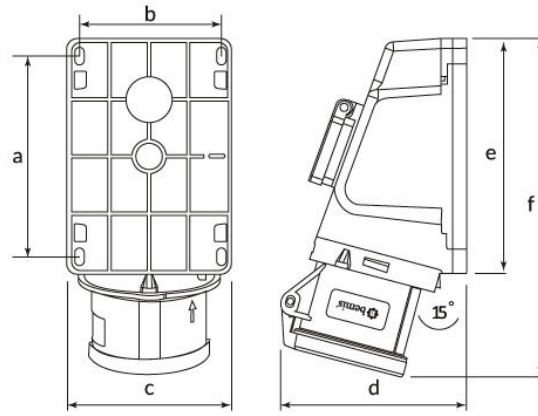
BC1-3505-2537**90° Angled Surface Socket
with Schuko**

Category: 5x32A (3P+E+N) 6h

**Technical Specifications**

AMPERE	32A
POLE	3P+E+N
TENSION	380V-450V
CLOCKWISE	6h
HERTZ	50 Hz - 60 Hz
IP RATING	IP44
CONDUCTIVE MATERIAL	A.D. 58
BODY MATERIAL	Polyamide 6
GRAM	416,6
BOX QUANTITY	3
NUMBER OF BOXES	36

Quality Certificates

BC1-3505-2537**Technical Drawing**

Ölçüler / Dimensions (mm)			
a	78	e	87
b	64	f	96
c	79	g	
d	78	h	