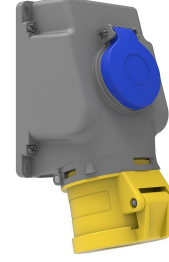


## Product Code

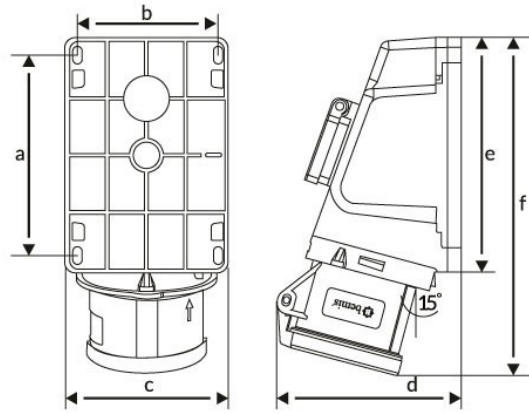
**BC1-3303-2537****90° Angled Surface Socket  
with Schuko**

Category: 3x32A (2P+E) 4h

**Technical Specifications**

AMPERE	3/32A
POLE	2P+E
TENSION	110V-150V
CLOCKWISE	4h
HERTZ	50 Hz - 60 Hz
IP RATING	IP44
CONDUCTIVE MATERIAL	A.D. 58
BODY MATERIAL	Polyamide 6
GRAM	155
BOX QUANTITY	3
NUMBER OF BOXES	36

**Quality Certificates**

**BC1-3303-2537****Technical Drawing****Ölçüler / Dimensions (mm)**

a	78	e	87
b	64	f	96
c	79	g	
d	78	h	