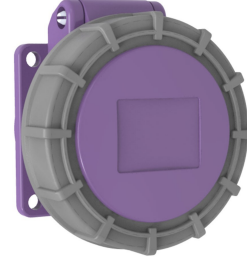


Product Code

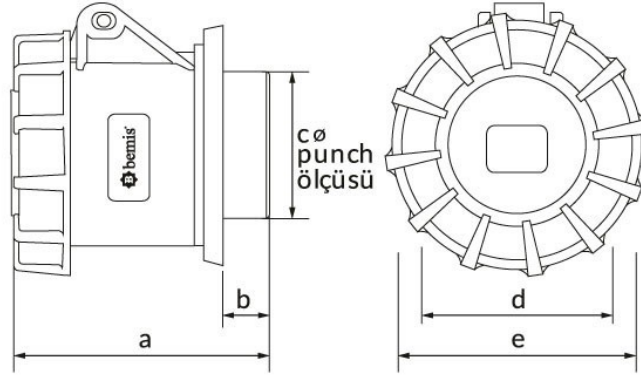
BC1-3102-7414**Panel Mounted Socket (One Piece)**

Category: 2x32A 24V (2P)

**Technical Specifications**

AMPERE	32A
POLE	2P
TENSION	24V
HERTZ	50 Hz - 60 Hz
IP RATING	IP67
CONDUCTIVE MATERIAL	A.D. 58
BODY MATERIAL	Polyamide 6
GRAM	127
BOX QUANTITY	8
NUMBER OF BOXES	144

Quality Certificates

BC1-3102-7414**Technical Drawing**

Ölçüler / Dimensions (mm)			
a	77	e	55
b	30	f	
c ø	50	g	
d	45	h	