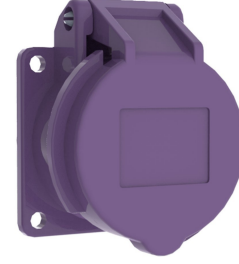


## Product Code

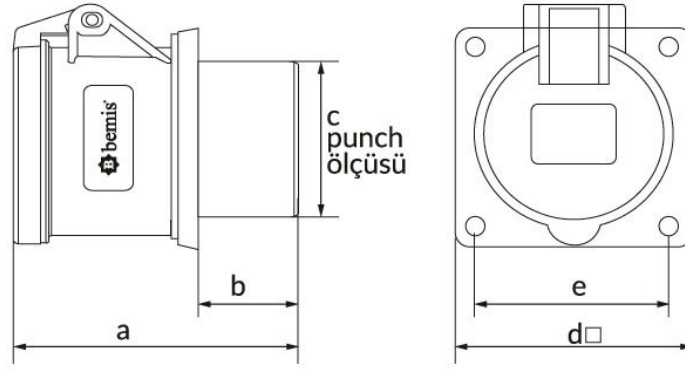
**BC1-3102-2414****Panel Mounted Socket (One Piece)**

Category: 2x32A 24V (2P)

**Technical Specifications**

AMPERE	32A
POLE	2P
TENSION	24V
HERTZ	50 Hz - 60 Hz
IP RATING	IP44
CONDUCTIVE MATERIAL	A.D. 58
BODY MATERIAL	Polyamide 6
GRAM	110
BOX QUANTITY	20
NUMBER OF BOXES	240

**Quality Certificates**

**BC1-3102-2414****Technical Drawing**

Ölçüler / Dimensions (mm)			
a	68,5	e	45
b	30	f	
c	50	g	
d <sup>□</sup>	55	h	