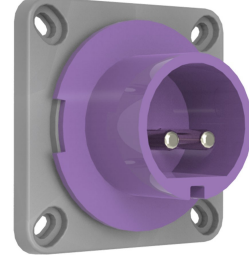


Product Code

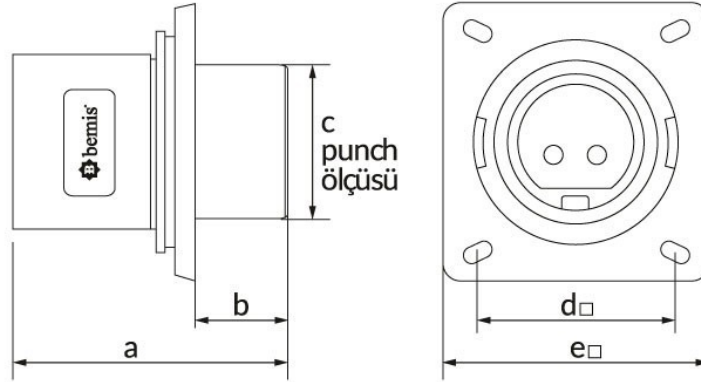
BC1-3102-2114**Machine Specifications Sheet**

Category: 2x32A 24V (2P)

**Technical Specifications**

AMPERE	32A
POLE	2P
TENSION	24V
HERTZ	50 Hz - 60 Hz
IP RATING	IP44
CONDUCTIVE MATERIAL	A.D. 58
BODY MATERIAL	Polyamide 6
GRAM	100
BOX QUANTITY	10
NUMBER OF BOXES	180

Quality Certificates

BC1-3102-2114**Technical Drawing**

Ölçüler / Dimensions (mm)			
a	61,5	e	75
b	24	f	
c	40	g	
d	58	h	