

## Product Code

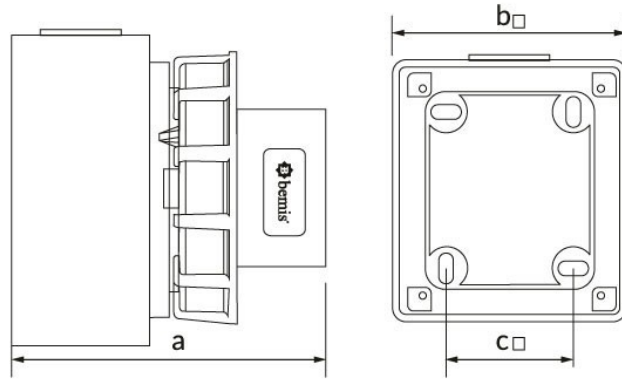
**BC1-1103-7210****Wall Plug**

Category: 3x16A 24V (3P)

**Technical Specifications**

AMPERE	3/16A
POLE	3P
TENSION	24V
HERTZ	50 Hz - 60 Hz
IP RATING	IP67
CONDUCTIVE MATERIAL	A.D. 58
BODY MATERIAL	Polyamide 6
GRAM	276
BOX QUANTITY	4
NUMBER OF BOXES	72

**Quality Certificates**

**BC1-1103-7210****Technical Drawing**

Ölçüler / Dimensions (mm)			
a	99	e	
b	95	f	
c	55	g	
d		h	