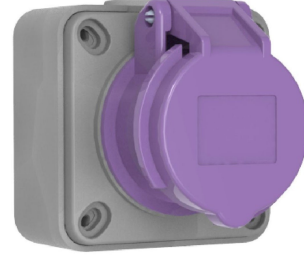


Product Code

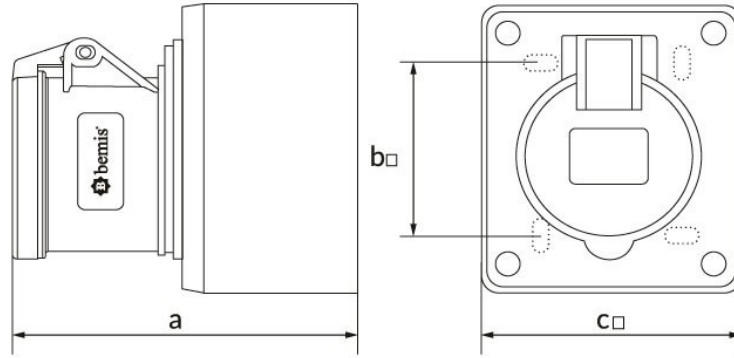
BC1-1103-2510**Wall Outlet**

Category: 3x16A 24V (3P)

**Technical Specifications**

AMPERE	3/16A
POLE	3P
TENSION	24V
HERTZ	50 Hz - 60 Hz
IP RATING	IP44
CONDUCTIVE MATERIAL	A.D. 58
BODY MATERIAL	Polyamide 6
GRAM	155
BOX QUANTITY	6
NUMBER OF BOXES	108

Quality Certificates

BC1-1103-2510**Technical Drawing**

Ölçüler / Dimensions (mm)		
a	82	e
b	60	f
c	80	g
d		h