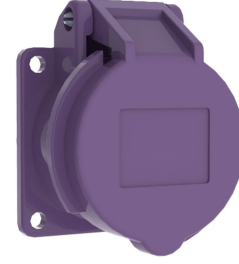


Product Code

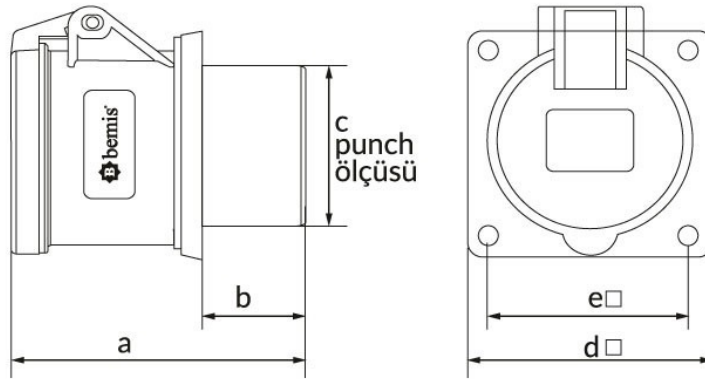
BC1-1103-2414**Panel Mounted Socket (One Piece)**

Category: 3x16A 24V (3P)

**Technical Specifications**

AMPERE	3/16A
POLE	3P
TENSION	24V
HERTZ	50 Hz - 60 Hz
IP RATING	IP44
CONDUCTIVE MATERIAL	A.D. 58
BODY MATERIAL	Polyamide 6
GRAM	123
BOX QUANTITY	20
NUMBER OF BOXES	240

Quality Certificates

BC1-1103-2414**Technical Drawing**

Ölçüler / Dimensions (mm)			
a	68,5	e□	45
b	30	f	
c	50	g	
d□	55	h	