

Product Code

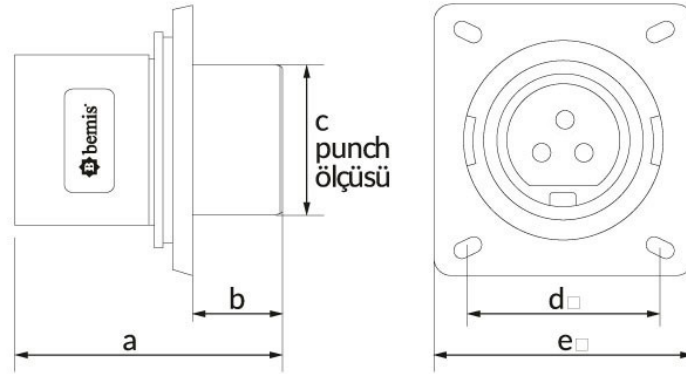
BC1-1103-2114**Machine Specifications Sheet**

Category: 3x16A 24V (3P)

**Technical Specifications**

AMPERE	3/16A
POLE	3P
TENSION	24V
HERTZ	50 Hz - 60 Hz
IP RATING	IP44
CONDUCTIVE MATERIAL	A.D. 58
BODY MATERIAL	Polyamide 6
GRAM	155
BOX QUANTITY	10
NUMBER OF BOXES	180

Quality Certificates

BC1-1103-2114**Technical Drawing**

Ölçüler / Dimensions (mm)			
a	61,5	e□	75
b	24	f	
c	40	g	
d□	58	h	