

Product Code

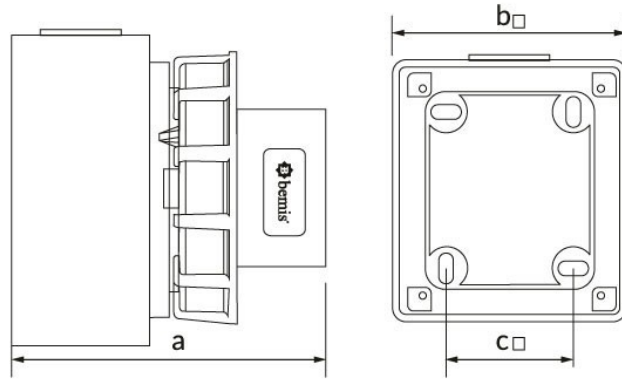
BC1-1102-7210**Wall Plug**

Category: 2x16A 24V (2P)

**Technical Specifications**

AMPERE	2/16A
POLE	2P
TENSION	24V
HERTZ	50 Hz - 60 Hz
IP RATING	IP67
CONDUCTIVE MATERIAL	A.D. 58
BODY MATERIAL	Polyamide 6
GRAM	155
BOX QUANTITY	4
NUMBER OF BOXES	72

Quality Certificates

BC1-1102-7210**Technical Drawing**

Ölçüler / Dimensions (mm)		
a	99	e
b	95	f
c	55	g
d		h